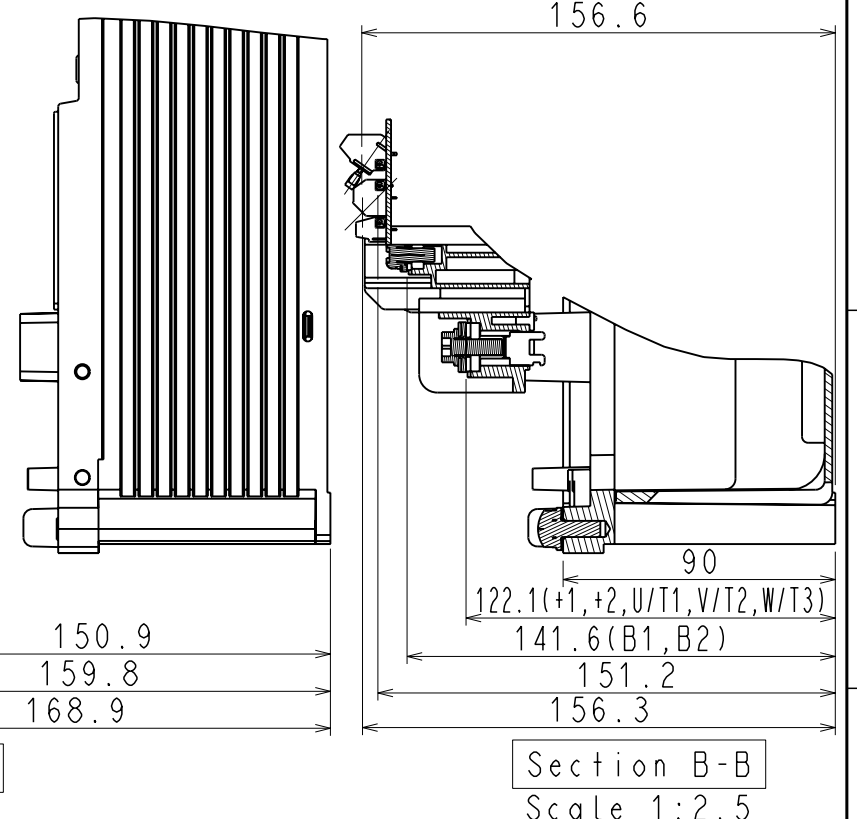
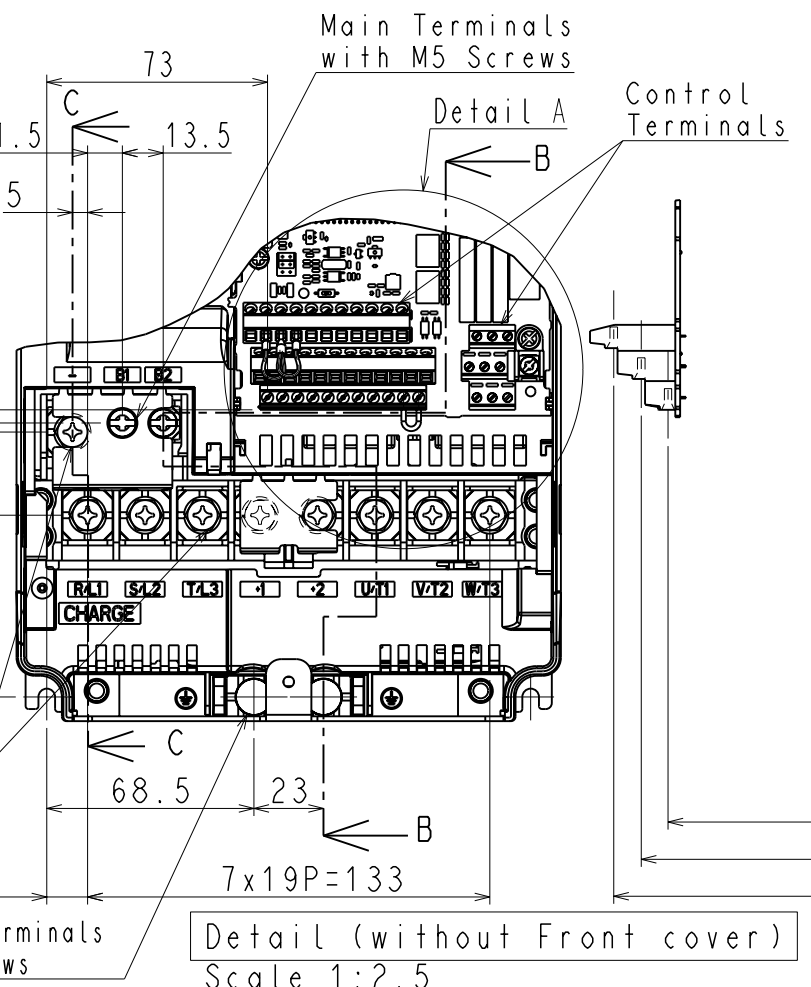
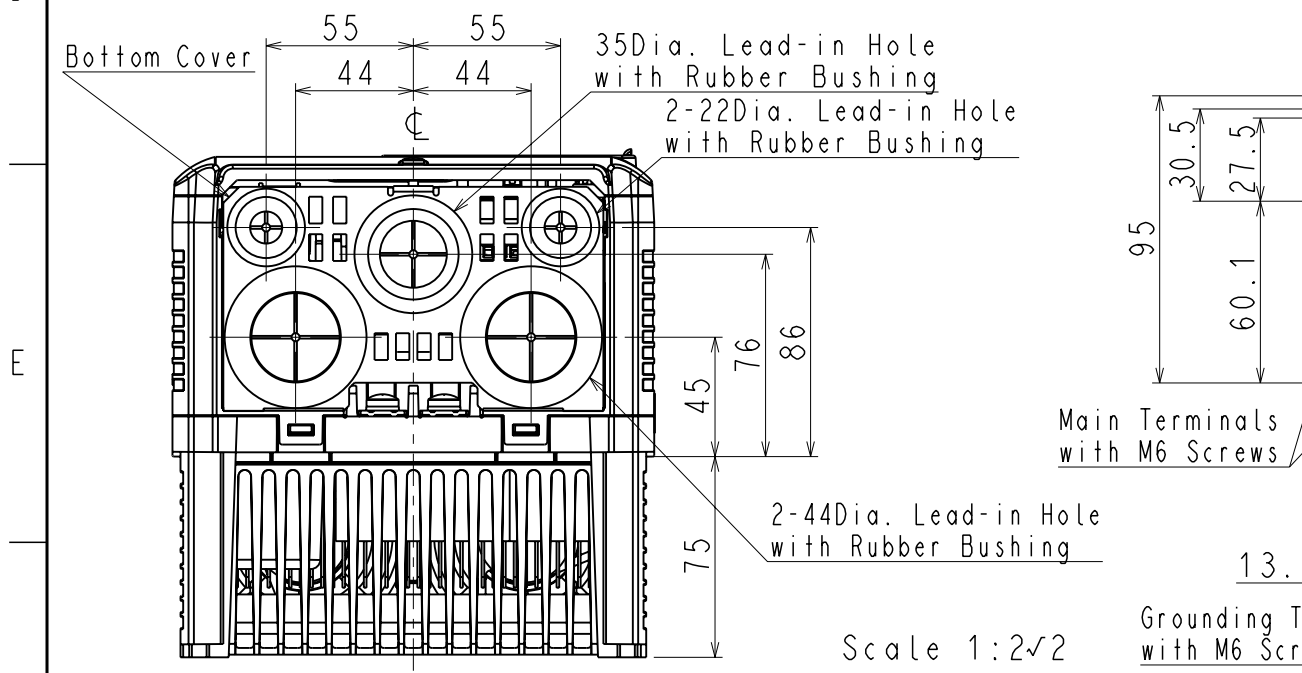
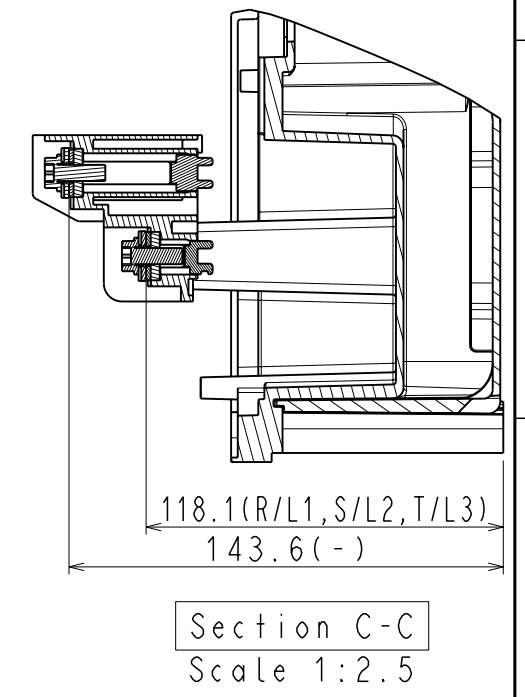
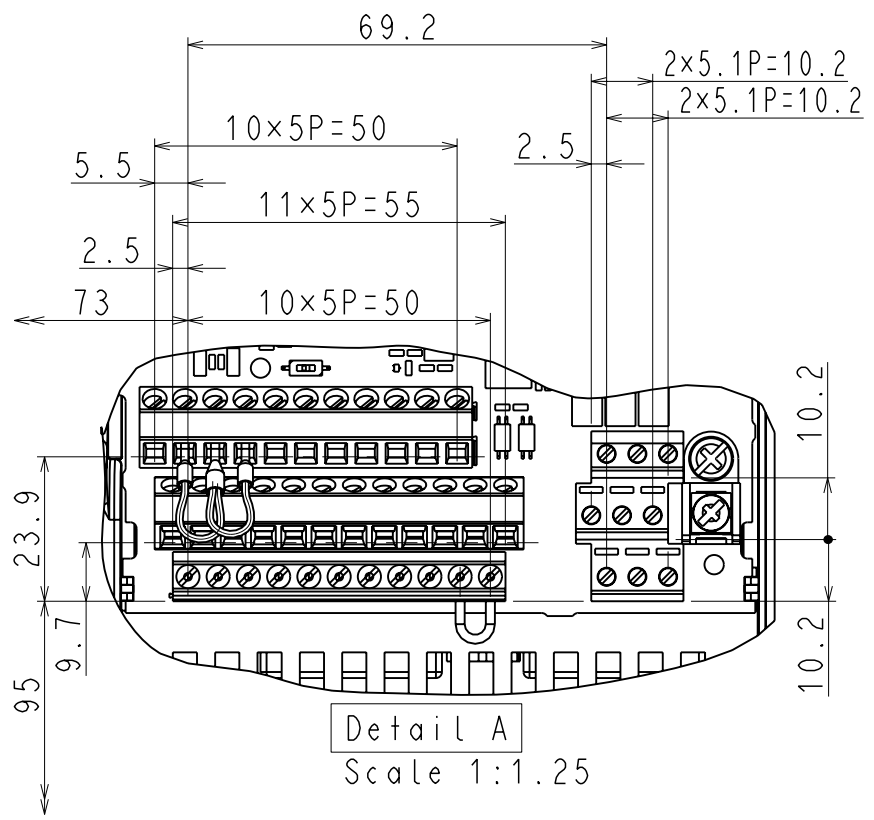
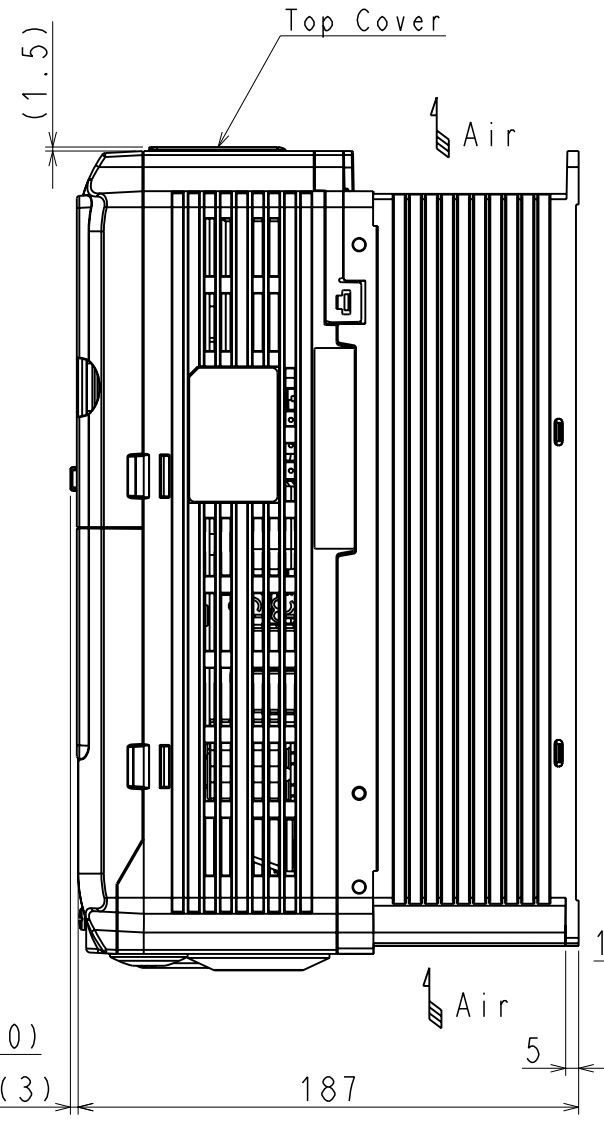
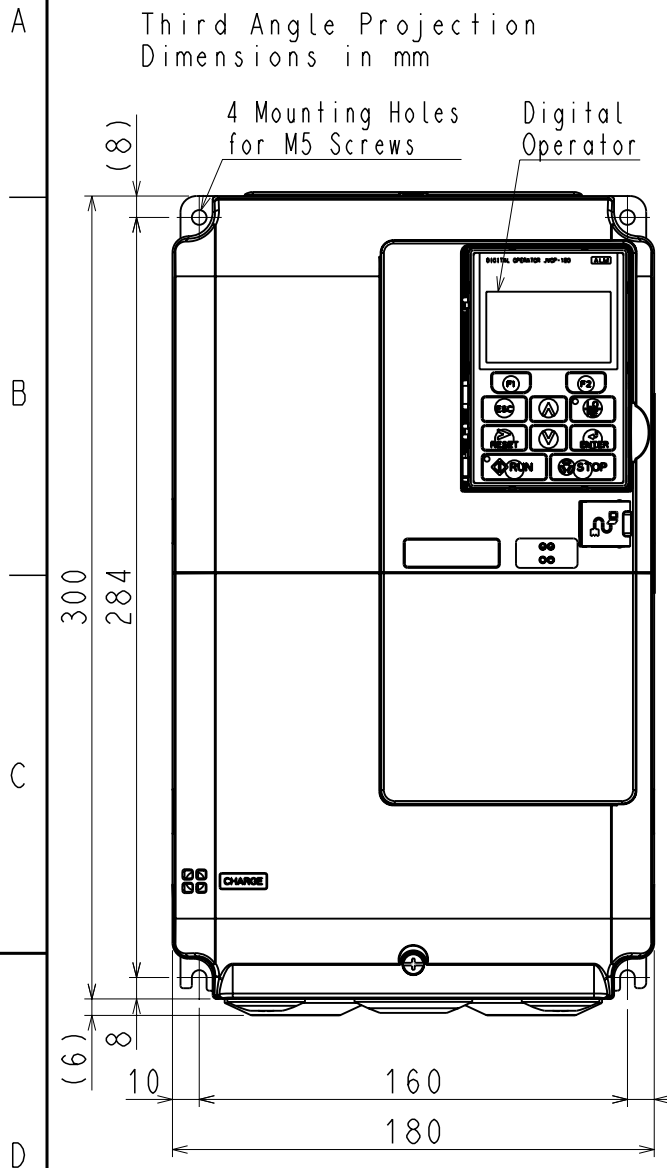


DWG. NO. EZZ902058-1/1

| Model No.      | Max Appli. Motor (kW) |            | Terminal Symbol      |      |      | Cooling Fan | Mass (kg) |      |   |     |
|----------------|-----------------------|------------|----------------------|------|------|-------------|-----------|------|---|-----|
|                | Normal Duty           | Heavy Duty | INPUT OUTPUT (MOTOR) |      |      |             |           |      |   |     |
| CIMR-LU2□0047D | -                     | 11         | R/L1                 | S/L2 | T/L3 | U/T1        | V/T2      | W/T3 | 2 | 5.6 |



|           |             |         |                                  |                                |                    |        |
|-----------|-------------|---------|----------------------------------|--------------------------------|--------------------|--------|
| REVISIONS | SCALE - : - | YASKAWA | DRAW. Nov. 26. 2013 M. Sameshima | TITLE L1000A OPEN CHASSIS TYPE | DWG. NO. EZZ902058 | REV. 1 |
|           |             |         | CHECK M. Kojyo                   | DIMENSION DIAGRAM              |                    |        |
|           |             |         | APPR. M. Kojyo                   |                                |                    |        |